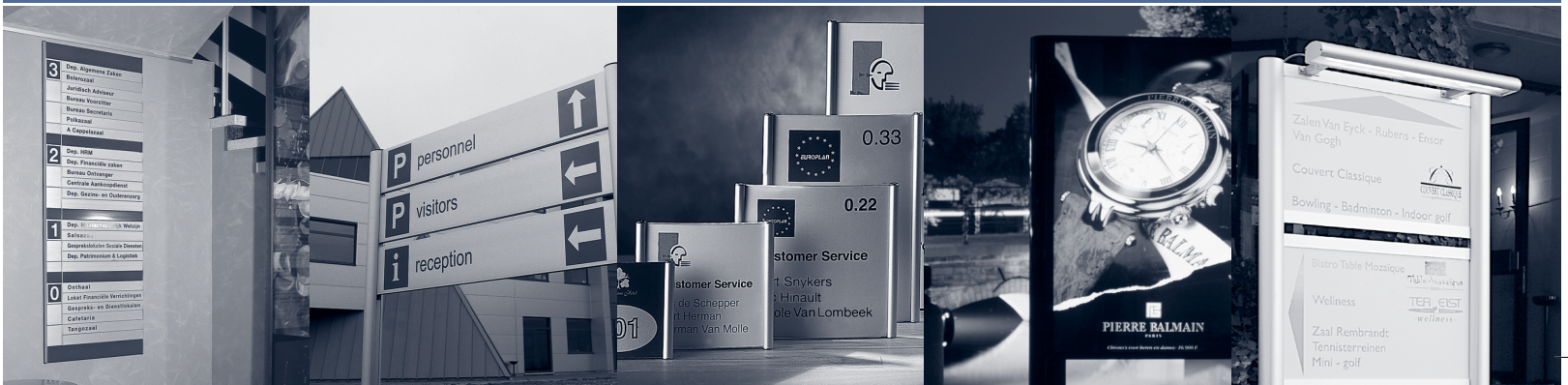


00: TECHNICAL OVERVIEW



01: INDOOR	→
02: OUTDOOR	→
03: PLATO	→
04: TOTEM	→
05: HIGHLIGHT	→

We show you the way

alu SIGN 



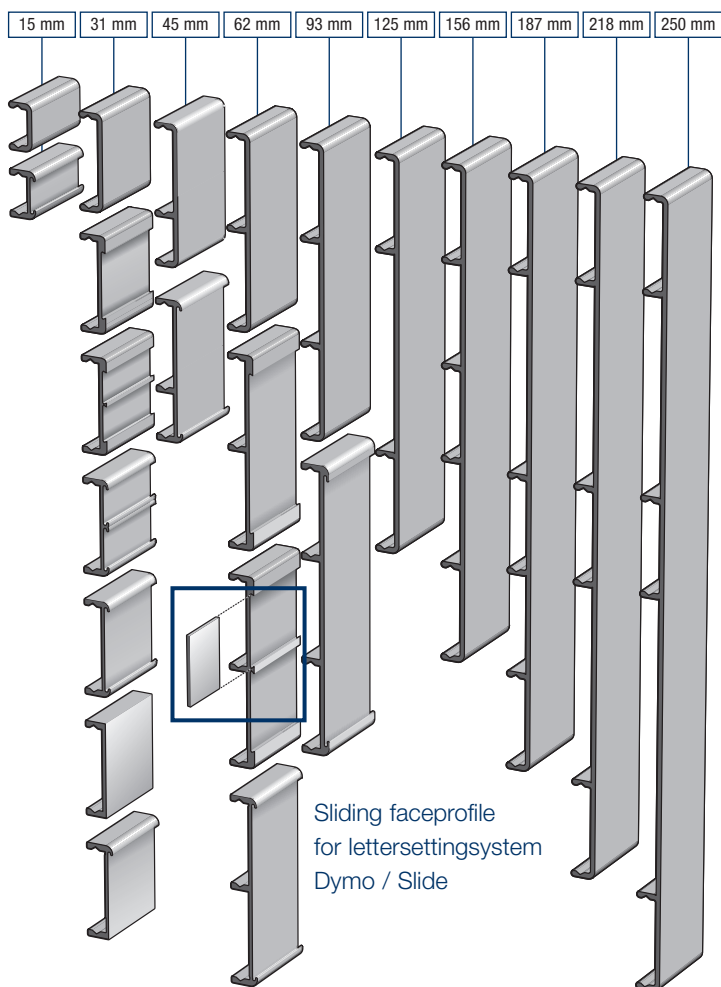
01:INDOOR	→	3
02:OUTDOOR	→	11
03:PLATO	→	15
04:TOTEM	→	21
05:HIGHLIGHT	→	25

01:INDOOR



01:INDOOR

OVERVIEW PROFILES



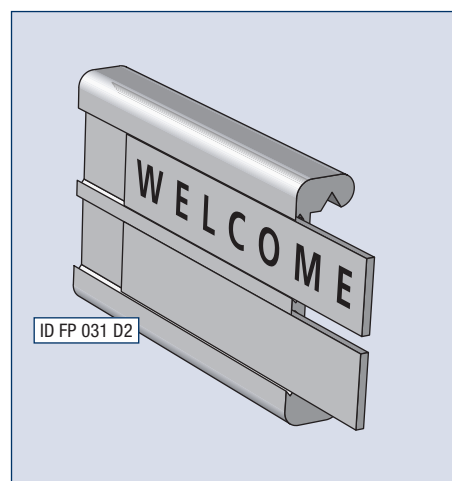
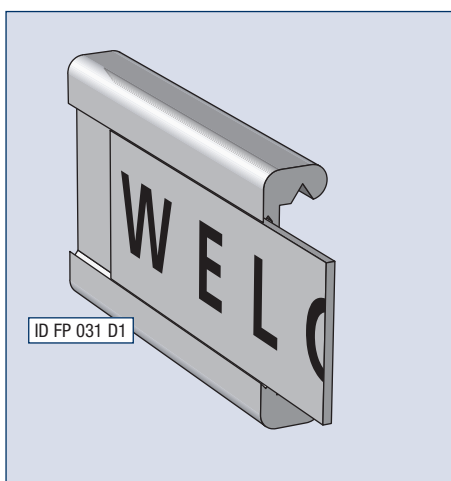
FACEPROFILES

CODE	TYPE	THICKNESS PVC SHEET (mm)	WIDTH (mm)
ID FP 015	Indoor face panel 15		
ID FP 015 S1	Indoor face panel 15 - 1-sliding	11.9	1
ID FP 031	Indoor face panel 31		
ID FP 031 S1	Indoor face panel 31 - 1-sliding	27	1
ID FP 031 S2	Indoor face panel 31 - 2-sliding	2x 13	1
ID FP 031 D1	Indoor face panel 31 - 1-sliding-dymo	19,2	0,8
ID FP 031 D2	Indoor face panel 31 - 2-sliding-dymo	2x 12,5	0,8
ID FP 031 S	Indoor face panel 31 slider		
ID FP 031 SU	Indoor face panel 31 support		
ID FP 045	Indoor face panel 45		
ID FP 045 S1	Indoor face panel 45 - 1-sliding	43	1
ID FP 062	Indoor face panel 62		
ID FP 062 S1	Indoor face panel 62 - 1-sliding	58	1
ID FP 062 D1	Indoor face panel 62 - 1-sliding-dymo	50	0,8
ID FP 062 D2	Indoor face panel 62 - 2-sliding-dymo	2x 24	0,8
ID FP 093	Indoor face panel 93		
ID FP 093 S1	Indoor face panel 93 - 1- sliding	87	1.5
ID FP 125	Indoor face panel 125		
ID FP 156	Indoor face panel 156		
ID FP 187	Indoor face panel 187		
ID FP 218	Indoor face panel 218		
ID FP 250	Indoor face panel 250		

SLIDING PROFILES

Our sliding profiles are just the thing for interchangeable texts, name-plates, etc.,... A small sheet of PVC, is slid into the aluminium profile.

These profiles come in sizes of 15 mm (1 track), 31 mm (1 track), 31 mm (2 tracks), 45 mm (1 track), 62 mm 1 track and 62 mm 2 track and 93 mm 1 track.

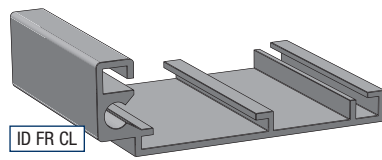


Profiles in mill finish, anodised and RAL.
Plastic accessories in black and grey. White finish, as long as available.

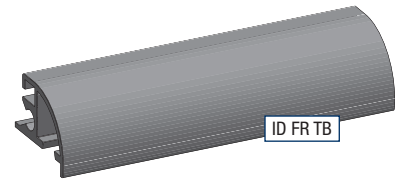
FRAME PROFILES

CODE	TYPE
ID FR CL	One-sided classic
ID FR TR	One-sided triangular
ID FR RO	One-sided radius
ID FR TB	Top/bottom radius profile
ID FR CLF	One-sided classic full
ID FR ROF	One-sided radius full

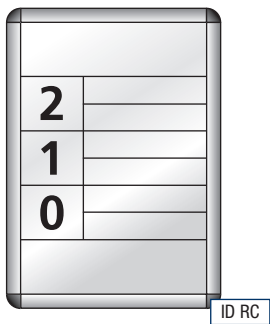
ONE SIDED CLASSIC



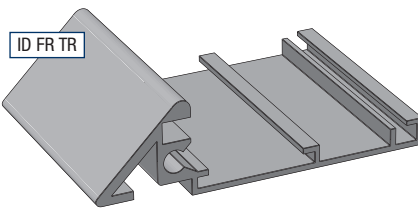
TOP / BOTTOM RADIUS PROFILE



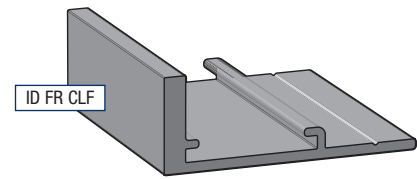
ONE SIDED RADIUS WITH TOP AND BOTTOM PROFILE



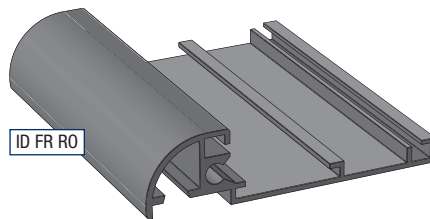
ONE SIDED TRIANGULAR



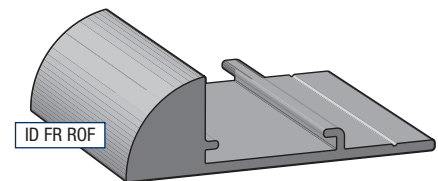
ONE SIDED CLASSIC FULL



ONE SIDED RADIUS

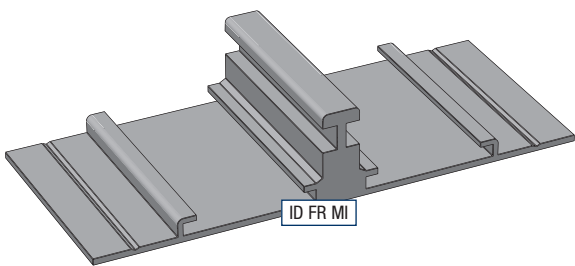


ONE SIDED RADIUS FULL



MIDDLE PROFILE

CODE	TYPE
ID FR MI	Middle profile

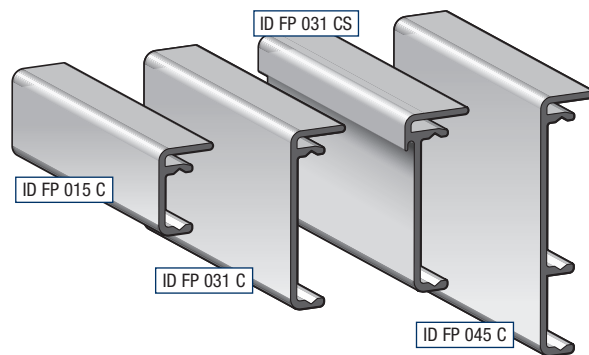
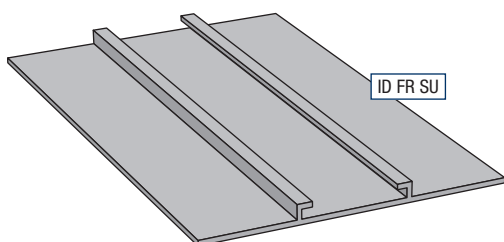


COVER PROFILES

CODE	TYPE
ID FP 015 C	Cover Profile 15 mm
ID FP 031 C	Cover Profile 31 mm
ID FP 031 CS	Cover Profile 31 mm - slide
ID FP 045 C	Cover Profile 45 mm

SUPPORT LIST

CODE	TYPE
ID FR SU	Support list



Profiles in mill finish, anodised and RAL.
Plastic accessories in black and grey. White finish, as long as available.

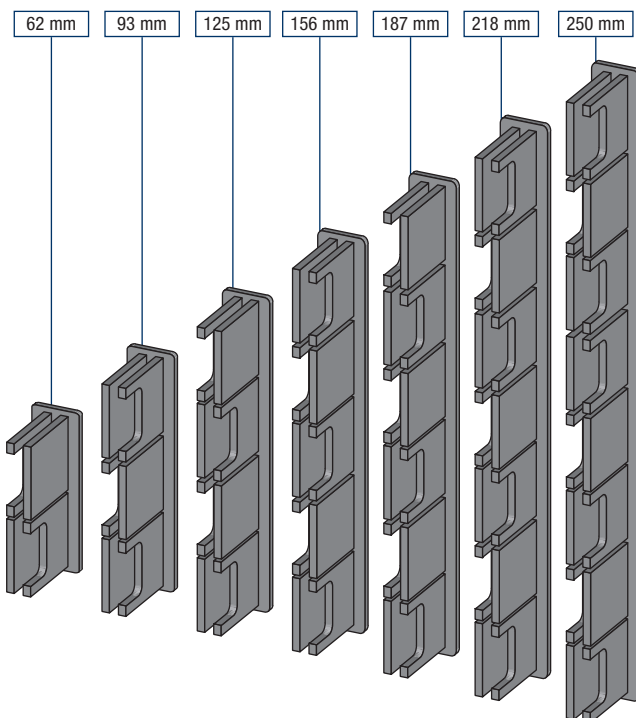
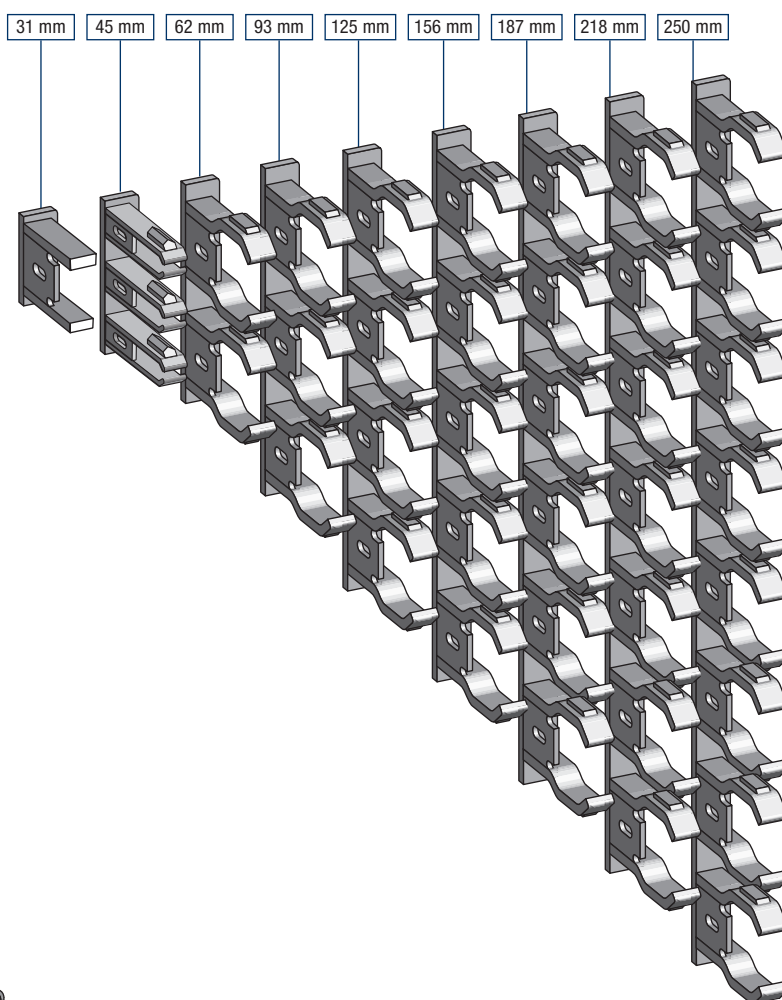
Indoor information at a glance



OVERVIEW ACCESSORIES

PLASTIC SINGLE ENDCAPS

CODE	TYPE	SIZE
ID PSE 031	Single endcap	31 mm
ID PSE 045	Single endcap	45 mm
ID PSE 062	Single endcap	62 mm
ID PSE 093	Single endcap	93 mm
ID PSE 125	Single endcap	125 mm
ID PSE 156	Single endcap	156 mm
ID PSE 187	Single endcap	187 mm
ID PSE 218	Single endcap	218 mm
ID PSE 250	Single endcap	250 mm



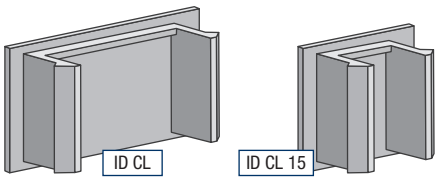
PLASTIC DOUBLE ENDCAPS

CODE	TYPE	SIZE
ID PDE 62	Double endcaps	62 mm
ID PDE 93	Double endcaps	93 mm
ID PDE 125	Double endcaps	125 mm
ID PDE 156	Double endcaps	156 mm
ID PDE 187	Double endcaps	187 mm
ID PDE 218	Double endcaps	218 mm
ID PDE 250	Double endcaps	250 mm

PLASTIC ACCESSORIES

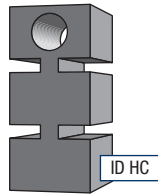
PLASTIC CLIPS

CODE	TYPE
ID CL	Clip - black
ID CL 15	Clip 15 mm - black



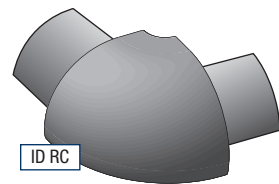
HANGING AND COMBINATION CLIPS

CODE	TYPE
ID HC	Hanging clip



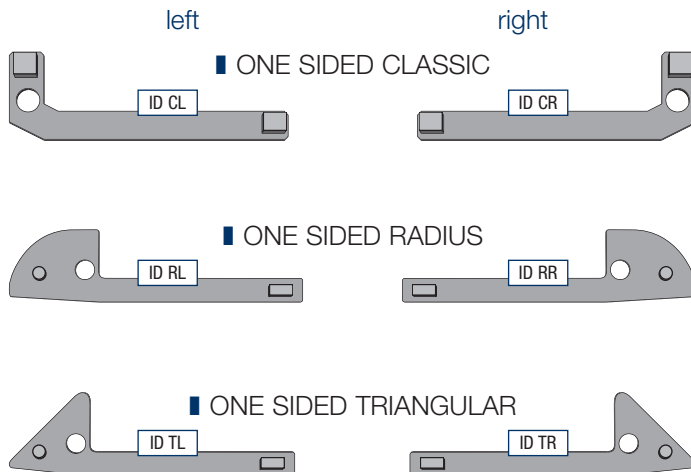
CORNER CLIP RADIUS

CODE	TYPE
ID RC	Corner radius



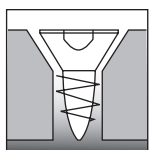
TOP & BOTTOM CAPS

CODE	TYPE
ID CL	One-sided classic left
ID CR	One-sided classic right
ID RL	Radius left
ID RR	Radius right
ID TL	Triangular left
ID TR	Triangular right



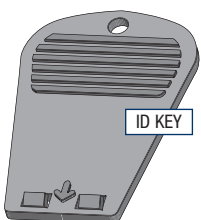
SCREWS

CODE	TYPE
ID TBS	Top and bottom screw type TORX



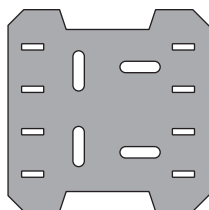
The screws are countersunk assembled

Key to replace assembled faceprofiles

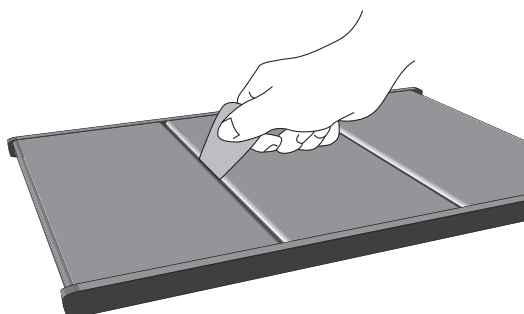


GROUNDPLATE

CODE	TYPE
ID GP	Groundplate* for 150 x 150 mm and 200 x 150 mm

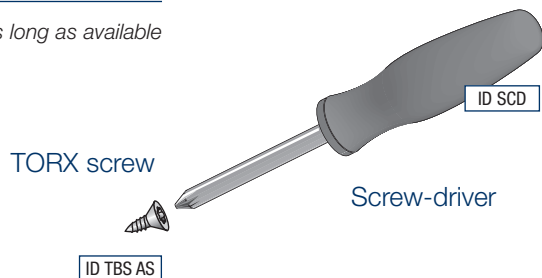


* As long as available



SCREW-DRIVER

CODE	TYPE
ID SCD	TORX screw driver



KEY

CODE	TYPE
ID KEY	Alusign key

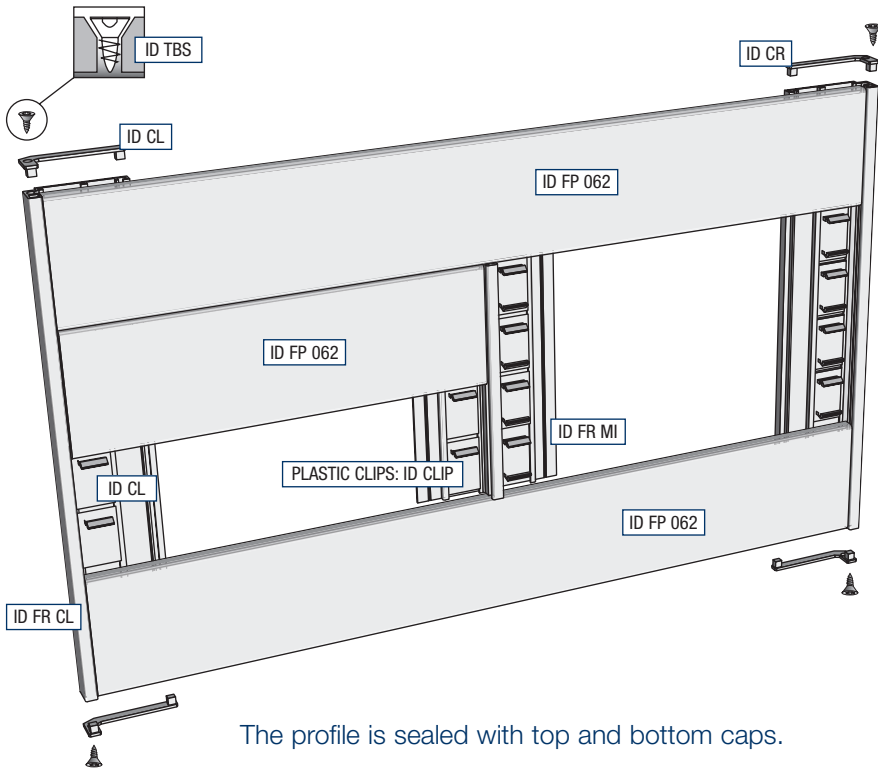
Profiles in mill finish, anodised and RAL. Plastic accessories in black and grey. White finish, as long as available.

Indoor information at a glance

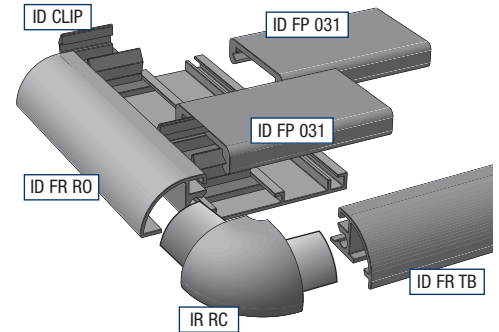
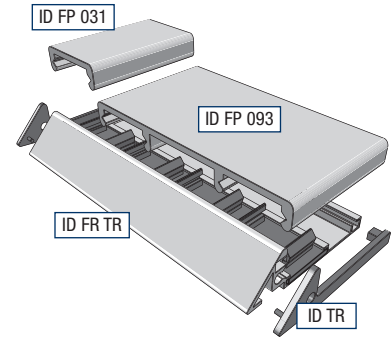
01:INDOOR

CONSTRUCTION EXAMPLES

INFORMATION AND OVERVIEW BOARDS

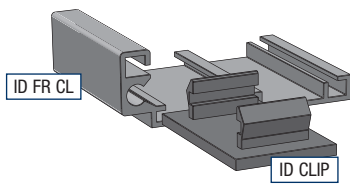


The profile is sealed with top and bottom caps.

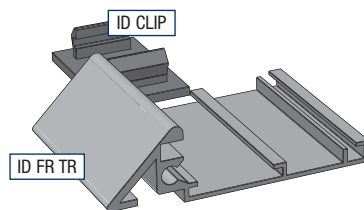


FRAME PROFILES

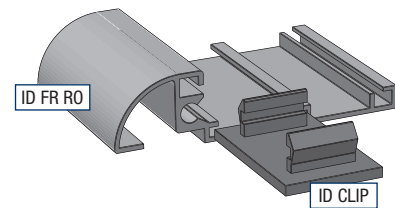
ONE SIDED CLASSIC



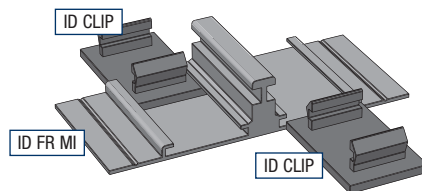
ONE SIDED TRIANGULAR



ONE SIDED RADIUS

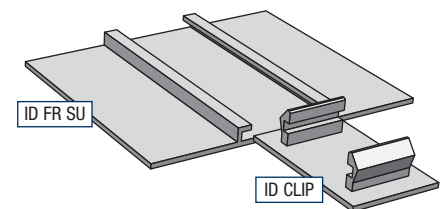


MIDDLE PROFILE



SUPPORT LIST

The supporting profile is used for supporting large panels, viz. for lengths of over 1 meter and for the erection of certain structures.

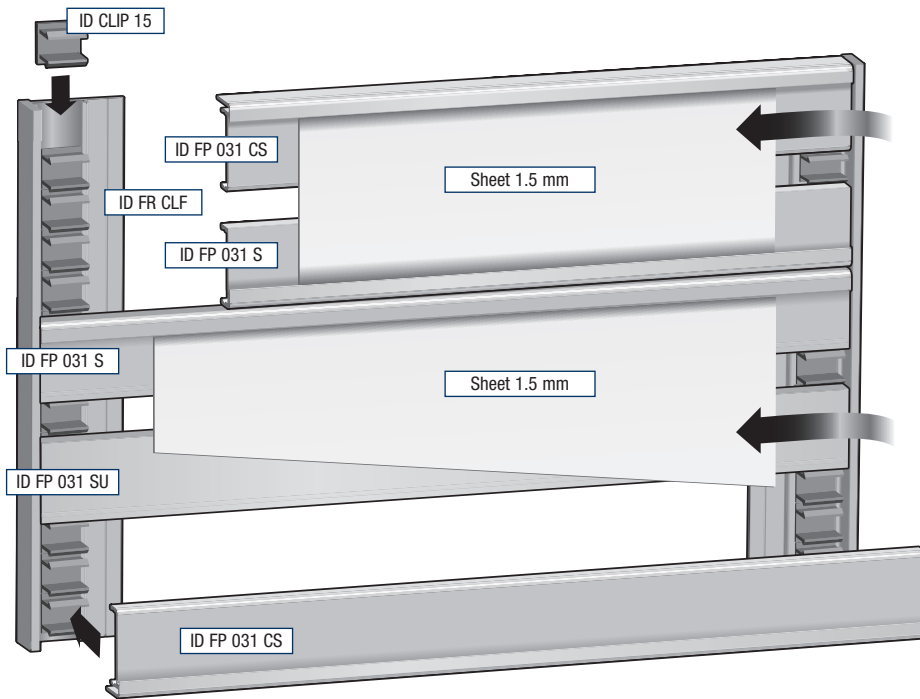


Plastic clips 31mm (ID CL) and 15 mm (ID CL 15) are slid into the profiles. These clips are for fastening the frame to the various text panels.

Clip 15 mm is used for the 15 and 45 mm faceprofiles.

Profiles in mill finish, anodised and RAL.
Plastic accessories in black and grey. White finish, as long as available.

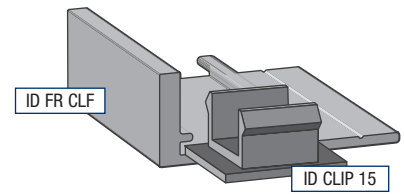
CONSTRUCTION WITH SLIDER PROFILES



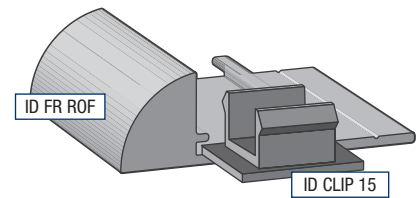
The slider profiles are used to make overview boards with a sheet of 1.5 mm. The support 31 mm gives stability for surfaces with a larger width.

FULL FRAME PROFILES

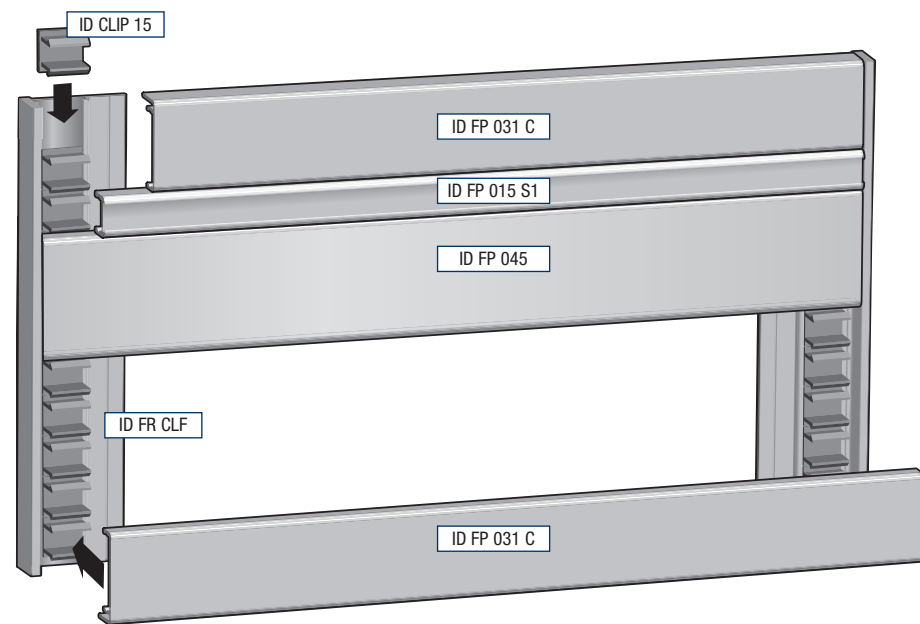
ONE SIDED CLASSIC FULL



ONE SIDED RADIUS FULL



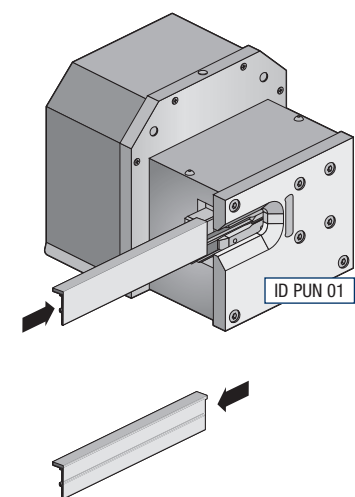
CONSTRUCTION WITH CLASSIC FULL PROFILE



No need to seal the profile with top and bottom caps.

PUNCHING DIE

The punching die is used to cut the angles off the full classic and curved frame profiles. The cover profiles can be inserted into the frame profiles after this operation.

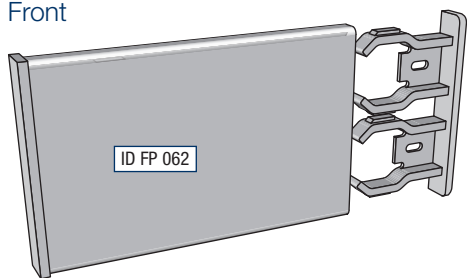


Indoor information at a glance

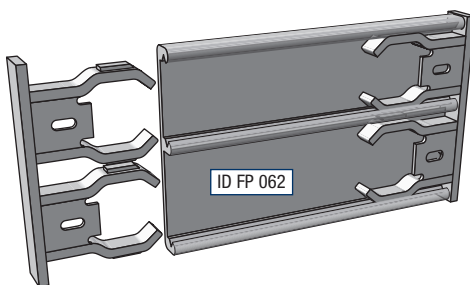
01:INDOOR

WALL MOUNTING

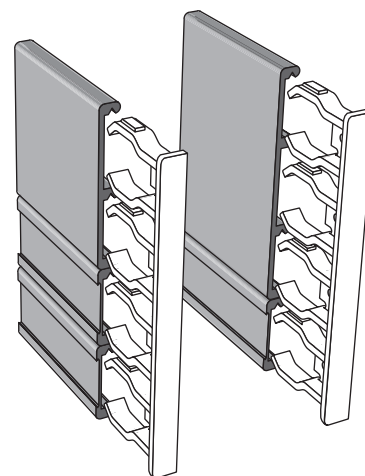
Front



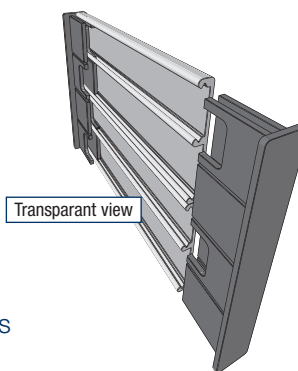
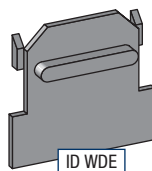
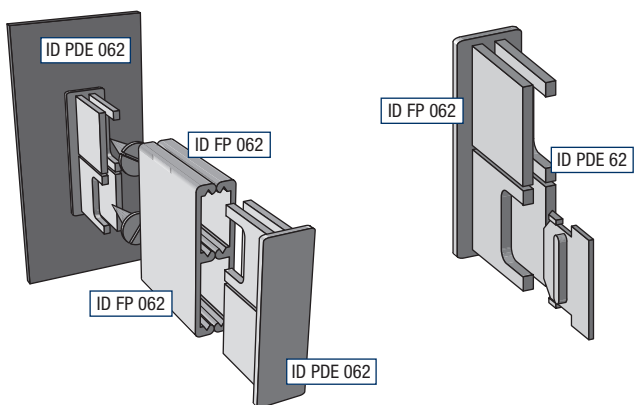
Single endcaps



Back



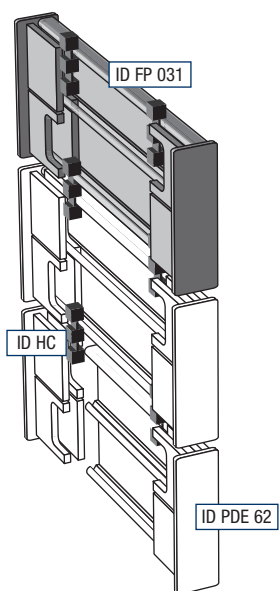
LATERAL WALL MOUNTING



Wedges for double endcaps prevents saggin

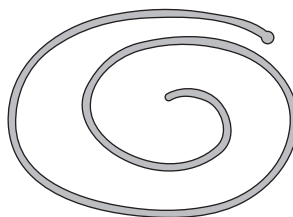
CODE	TYPE
ID WDE	Wedges for double endcaps

HANGING SYSTEM

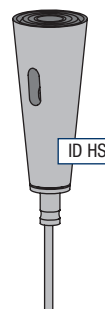


ACCESSORIES HANGING SYSTEM

CODE	TYPE / SIZE	FINISH / COLOUR
ID HS	Inox hanging system	inox
ID HC	Steel cable 100 m	inox



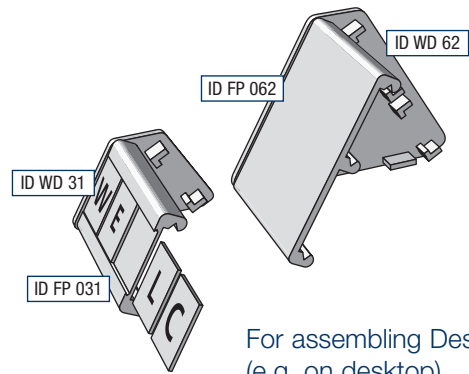
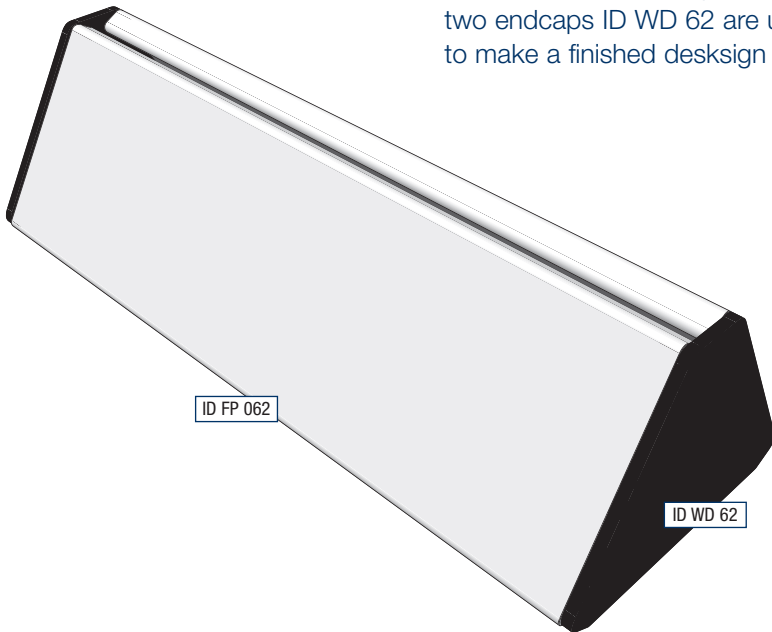
Steel cable ø 1 mm



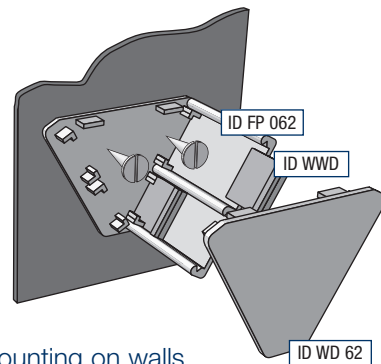
Profiles in mill finish, anodised and RAL.
Plastic accessories in black and grey. White finish, as long as available.

CONSTRUCTION EXAMPLE WING DESK

62mm ID FP 062 text panels and two endcaps ID WD 62 are used to make a finished desksign



For assembling Desksign (e.g. on desktop)

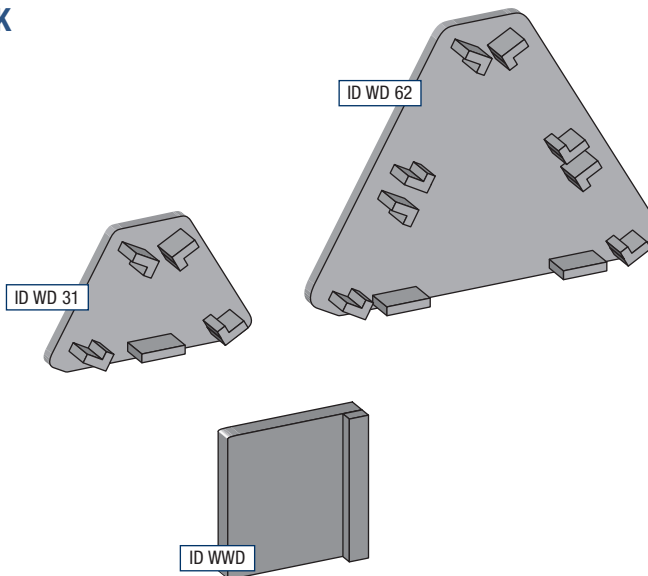


For mounting on walls (wing end caps)

OVERVIEW PLASTIC ENDCAPS FOR WING DESK

WING DESK ENDCAPS

CODE	TYPE	SIZE
ID WD 31	Wing desk endcaps	31 mm
ID WD 62	Wing desk endcaps	62 mm

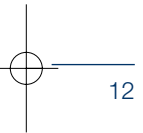
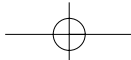


WEDGES FOR WING DESK SIGNS

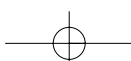
CODE	TYPE
ID WWD	Wedges for wing desk signs

Are used to lock the wingdesk end caps

Indoor information at a glance



we show you the way



02: OUTDOOR



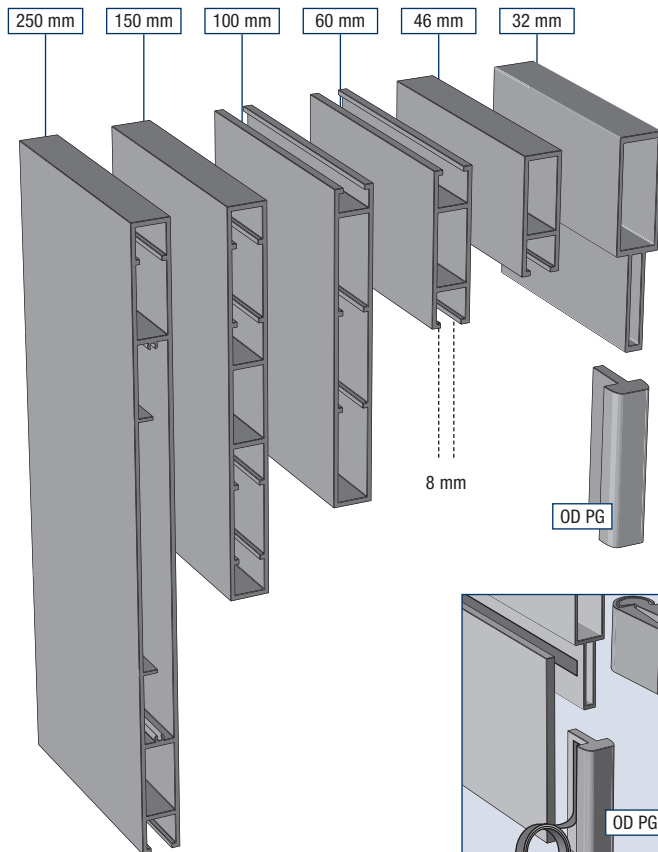
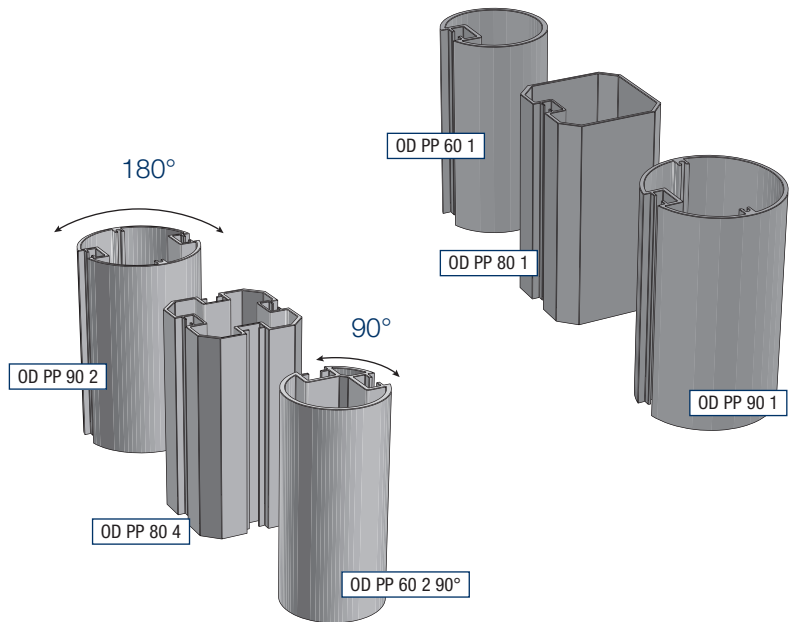
02:OUTDOOR

OVERVIEW PROFILES

POST PROFILES

CODE	TYPE	SIZE
OD PP 60 1	One-track	Ø 60 mm
OD PP 80 1	One-track	80 x 80 mm square
OD PP 90 1	One-track	Ø 90 mm
OD PP 60 2	Two-track	Ø 60 mm 90°
OD PP 80 4	Four-track	80 x 80 mm
OD PP 90 2	Two-track	Ø 90 mm 180°

The length of the uprights is 6.02 m.



LATERAL PROFILES

CODE	TYPE	SIZE
OD PG	Panel grip	-
OF FP 032	Face panel	32 mm
OF FP 046	Face panel	46 mm
OF FP 060	Face panel	60 mm
OF FP 100	Face panel	100 mm
OF FP 150	Face panel	150 mm
OF FP 250	Face panel	250 mm

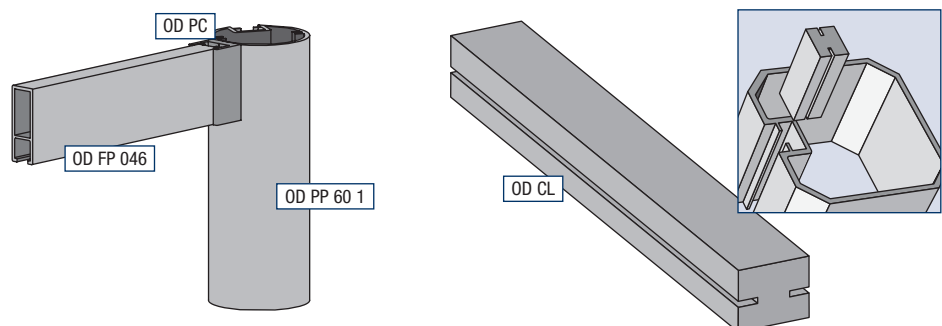
COVER LIST

CODE	TYPE
OD CL	Cover list

POST CONNECTOR

CODE	TYPE
OD PC	Post connector

Fixed on the 60 or 90 mm post, you are able to determine the mounting angle of the text panels.

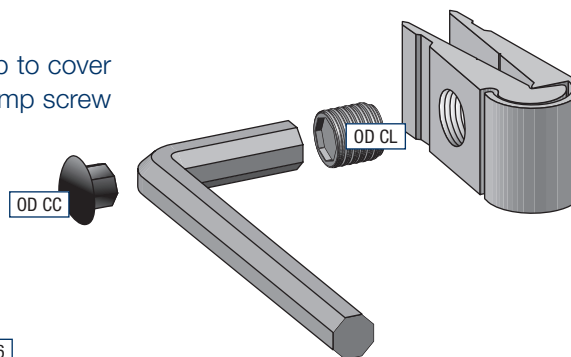


Profiles in mill finish, anodised and RAL.
Plastic accessories in black and grey. White finish, as long as available.

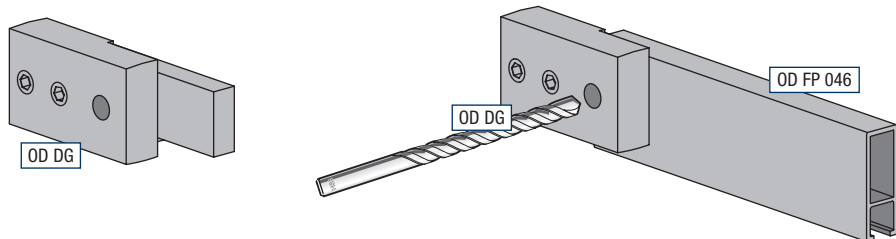
OVERVIEW ACCESSORIES

CODE	TYPE
OD CL	Clamp with inox screw M 10
OD CC	Plastic cap for clamp
OD DG	Drill guide

Plastic cap to cover the clamp screw

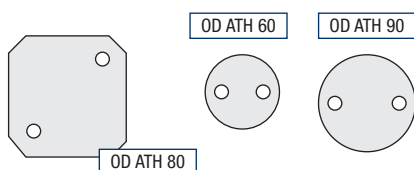


DRILL GUIDE



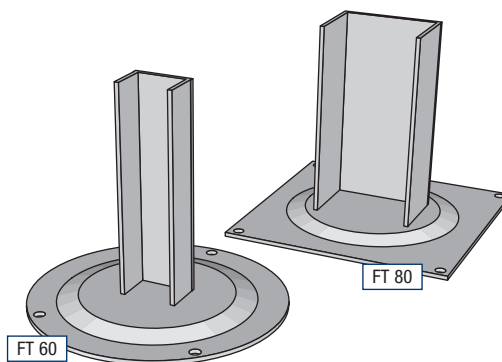
TOP HAT CAPS ALU

CODE	TYPE	SIZE
OD ATH 60	Top hat caps	Ø 60 mm
OD ATH 90	Top hat caps	Ø 90 mm
OD ATH 80	Top hat caps	80 x 80 mm



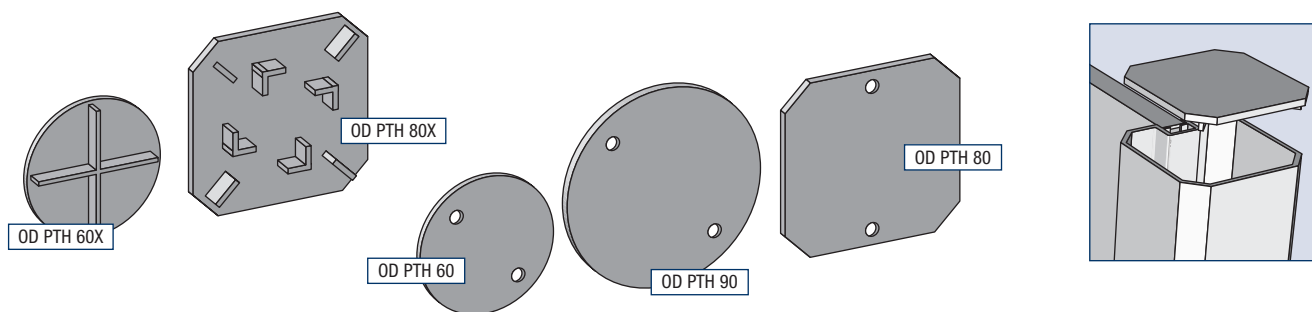
FOOT

CODE	TYPE
FT 60 1-TR	Foot for post 60 1-track
FT 60 2-TR	Foot for post 60 2-track
FT 80	Foot for post 80 1-track



PLASTIC ENDCAPS

CODE	TYPE
OD PTH 60X	Plastic top-hat for post 60 mm - for 1-track only - without screwholes
OD PTH 60	Plastic top-hat for post 60 mm - with screwholes
OD PTH 90	Plastic top-hat for post 90 mm - with screwholes
OD PTH 80X	Plastic top-hat for post 80 mm - for 1-track only - without screwholes
OD PTH 80	Plastic top-hat for post 80 mm - with screwholes



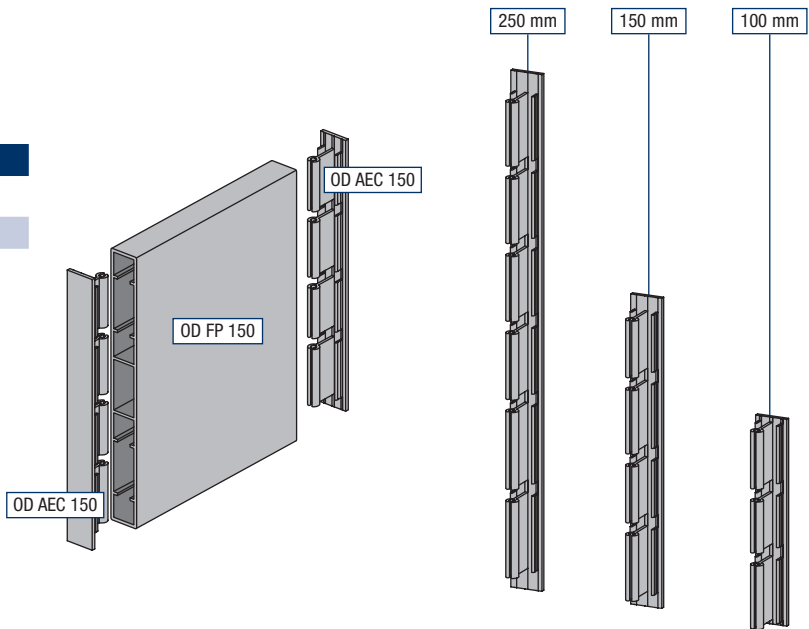
Covers all your outdoor needs

02:OUTDOOR

OVERVIEW ACCESSORIES

ALU END CAPS

CODE	TYPE	SIZE
OD AEC 100	Alu end cap for face panel	100 mm
OD AEC 150	Alu end cap for face panel	150 mm
OD AEC 250	Alu end cap for face panel	250 mm



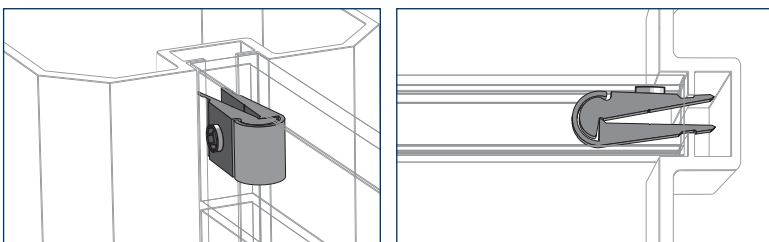
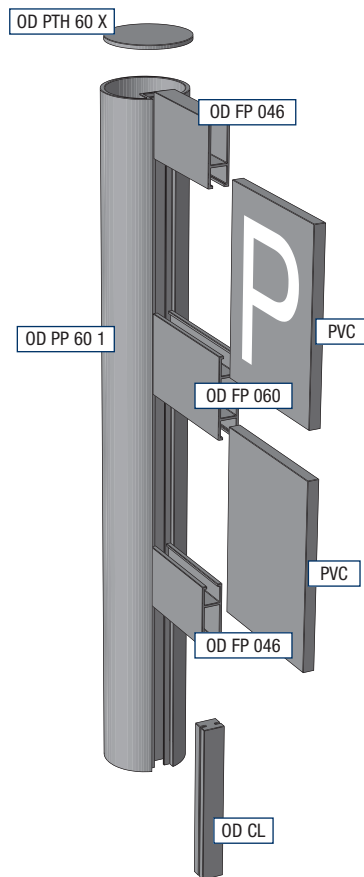
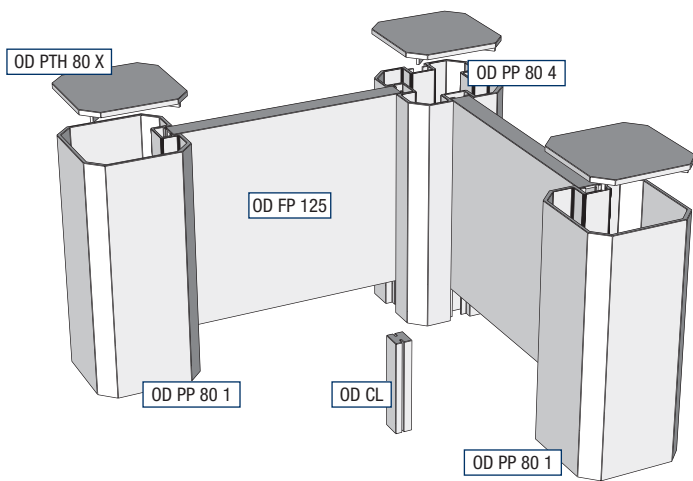
CONSTRUCTION EXAMPLES

OUTDOOR SYSTEM

SQUARE 80 X 80 MM

ROUND Ø 60 MM

16



Fitting of the clamp OD CL in a box profile and post, transparant view

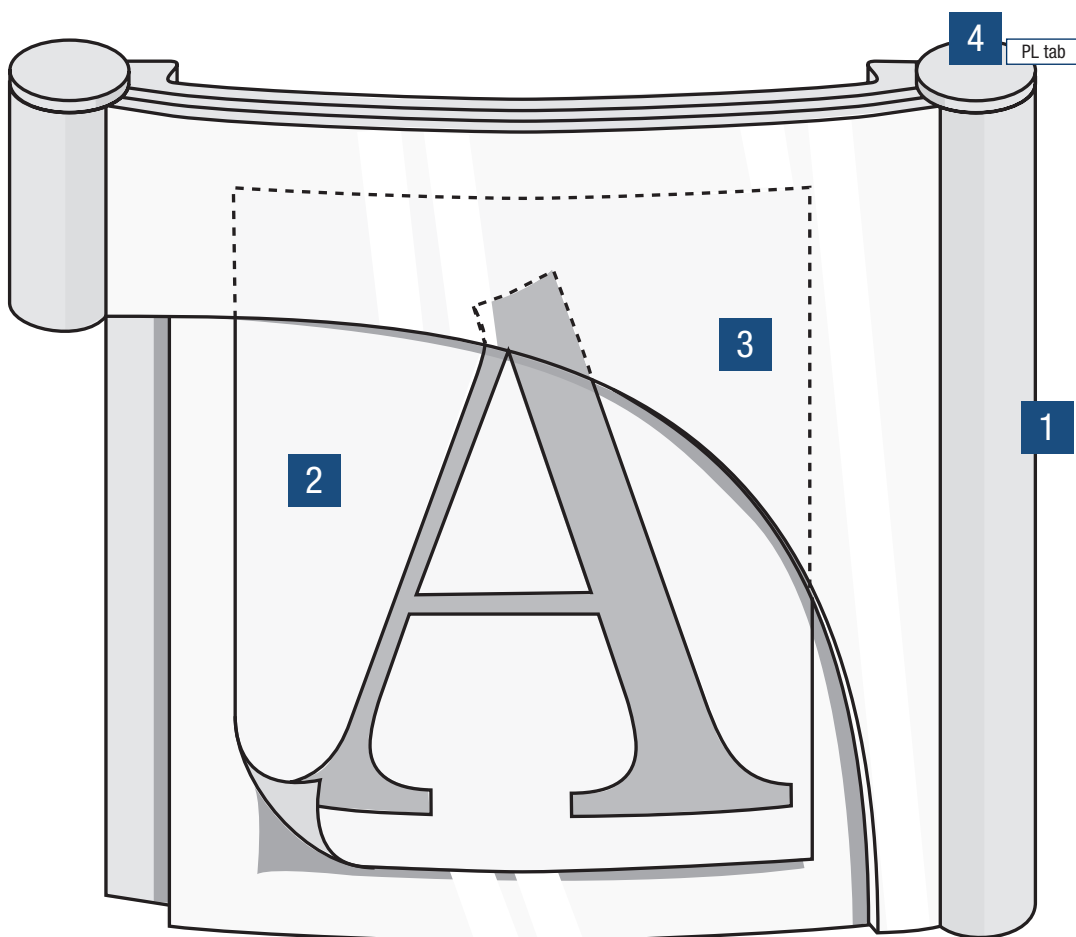
Covers all your outdoor needs

03: PLATO





CONSTRUCTION EXAMPLE PLATO

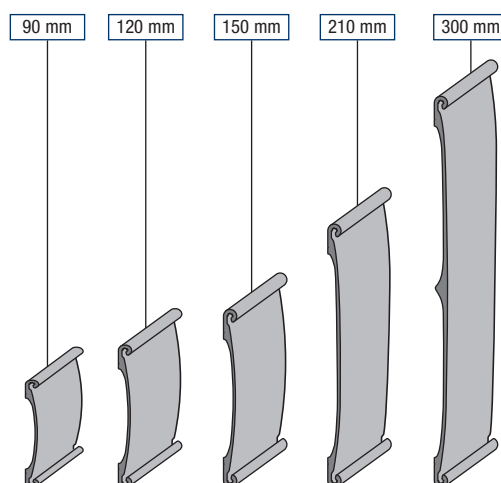


- 1. Aluminium frame
- 2. Text sheet
- 3. Plastic 1 till 1.5 mm
- 4. Tab

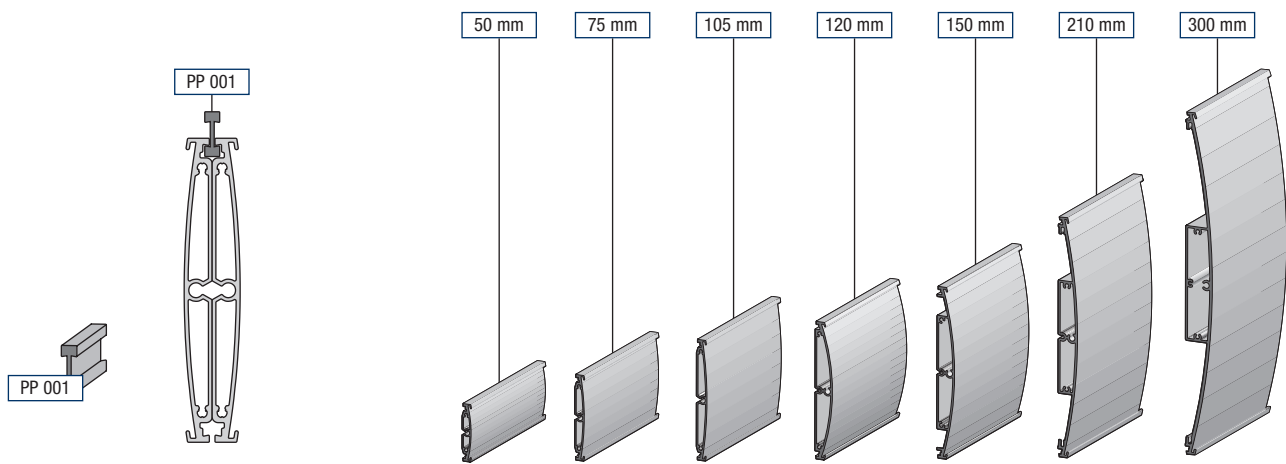
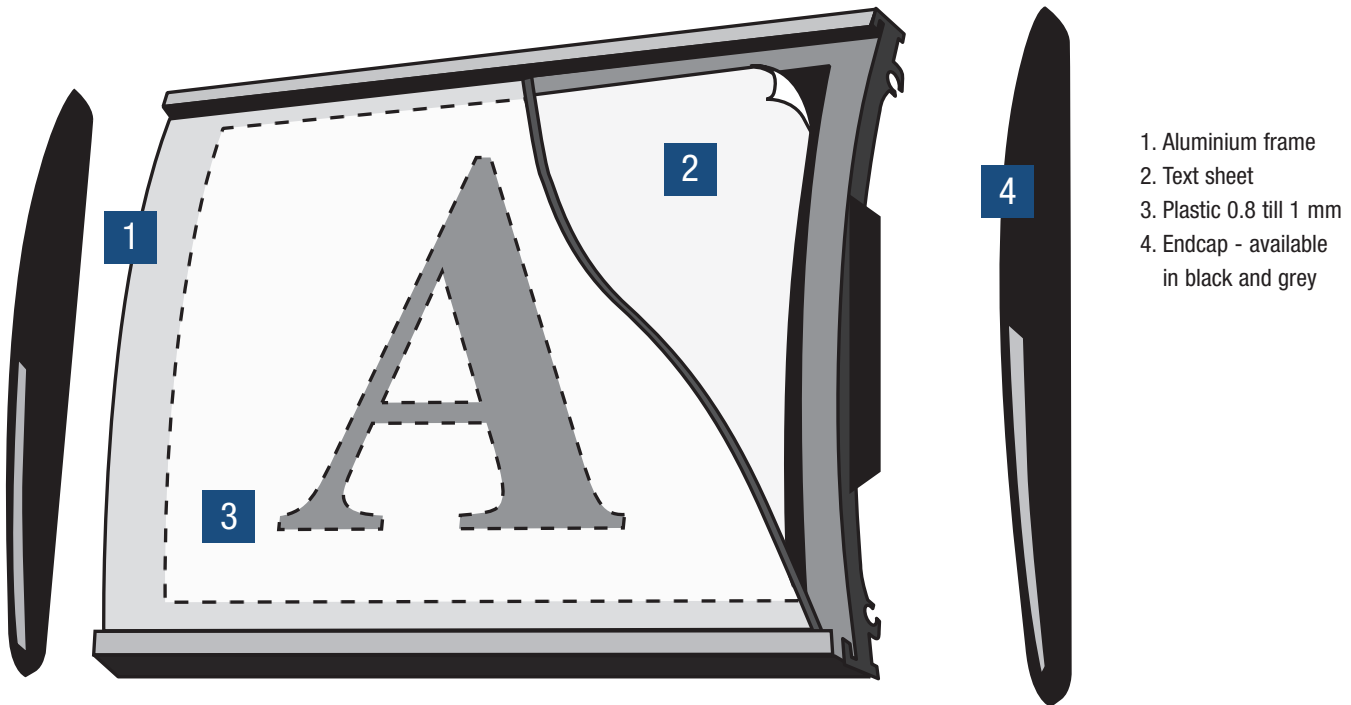
18

PLATO

CODE	TYPE	SIZE	STRIP ANTI REFLEX
PL tab	Plato inox tab	-	
PL 90	Plato	90 mm	89 x 1 mm
PL 120	Plato	120 mm	119 x 1 mm
PL 150	Plato	150 mm	149 x 1 mm
PL 210	Plato	210 mm	209 x 1,5 mm
PL 300	Plato	300 mm	297 x 1,5 mm

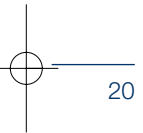
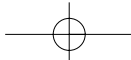


CONSTRUCTION EXAMPLE PLATO+

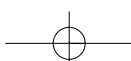


PLATO+

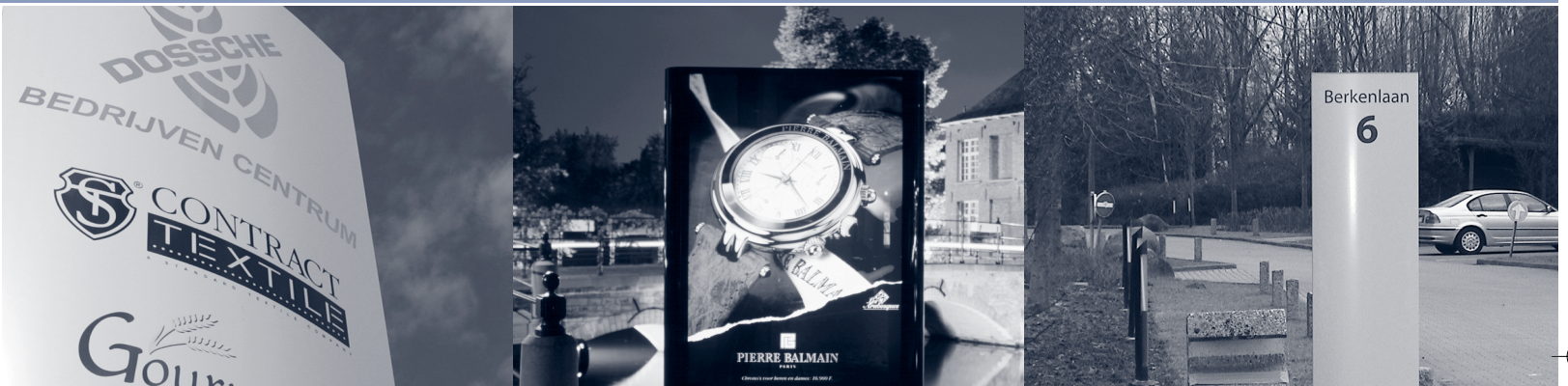
CODE	TYPE	SIZE	STRIP ANTI REFLEX
PP 50	Plato+	50 mm	52.5 x 0.8 mm
PP 75	Plato+	75 mm	74 x 0.8 mm
PP 105	Plato+	105 mm	104 x 0.8 mm
PP 120	Plato+	120 mm	121 x 1 mm
PP 150	Plato+	150 mm	149 x 1 mm
PP 210	Plato+	210 mm	209 x 1 mm
PP 300	Plato+	300 mm	297 x 1 mm
PP 001	Plato+ fixing profile		



we show you the way



04:TOTEM



04:TOTEM

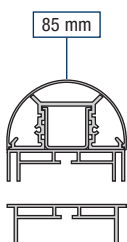
GLOBE

Versions

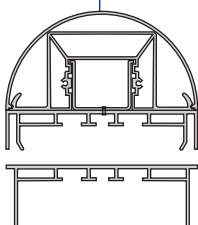
You can choose between the Lightbox sections and the Di-box sections. Both types are available in widths of 85, 135 and 180 mm.

As the name suggests, the Lightbox sections are used to make lightboxes, either single or double-sided, for displaying slides, posters etc.

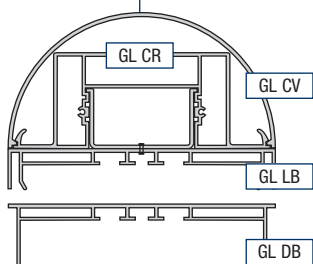
The Di-box system is intended more for making up complete columns with composite aluminium plates, which can have colours and text added to them. The two systems are also suitable for mounting in combination with each other.



85 mm



135 mm



180 mm

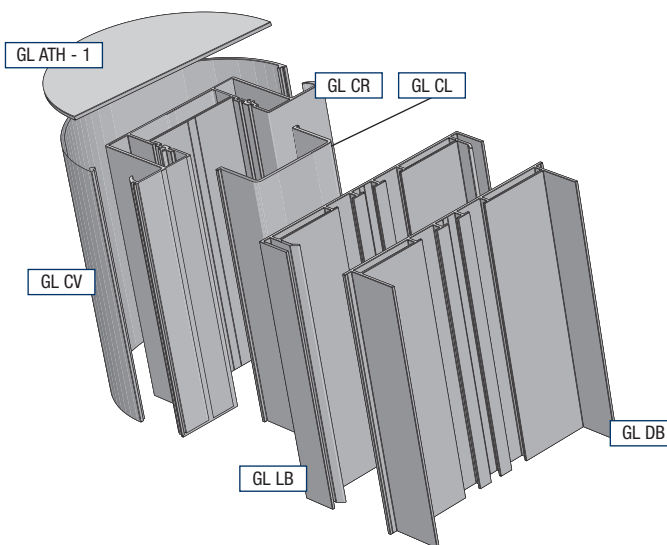
CODE	TYPE	MAXIMUM THICKNESS SHEET	MAXIMUM THICKNESS PLEXI
GL CV 085	Globe post profile 85 cover		
GL CR 085	Globe post profile 85 core		
GL CL 085	Globe post profile 85 clip		
GL LB 085	Globe light-box profile 85		5 mm
GL DB 085	Globe di-box profile 85	3 mm	
GL ATH 085-1	Globe alu top hat 85-1		
GL CV 135	Globe post profile 135 cover		
GL CR 135	Globe post profile 135 core		
GL CL 135	Globe post profile 135 clip		
GL LB 135	Globe light-box profile 135		5 mm
GL DB 135	Globe di-box profile 135	4 mm	
GL ATH 135-1	Globe alu top hat 135-1		
GL CV 180	Globe post profile 180 cover		
GL CR 180	Globe post profile 180 core		
GL CL 180	Globe post profile 180 clip		
GL LB 180	Globe light-box profile 180		5 mm
GL DB 180	Globe di-box profile 180	5 mm	
GL ATH 180-1	Globe alu top hat 180-1		

For higher thickness with lightbox: use the lightbox - fix 135 and 180 mm

Other top hat caps are available.

On the technical side

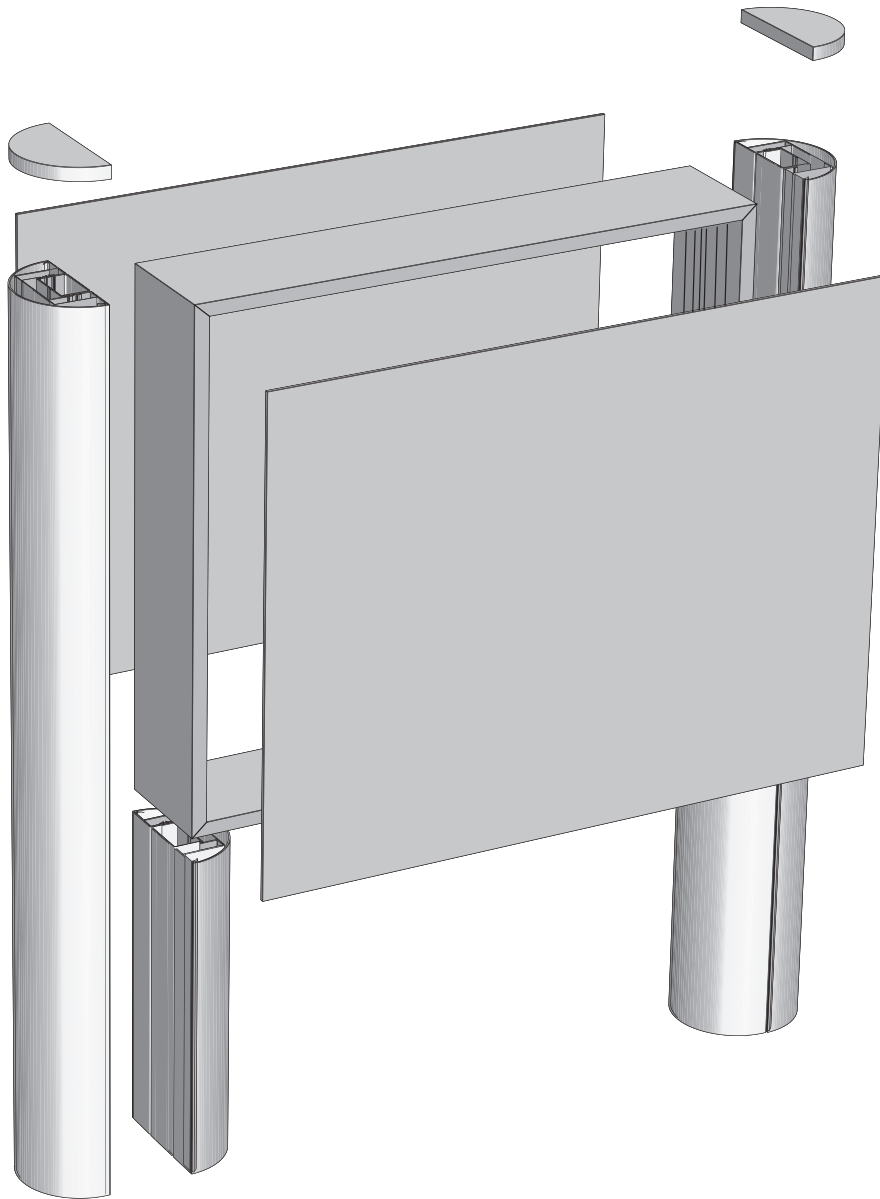
Simple and quick to assemble. Easy to maintain. The support sections can be sunk into the ground or mounted on metal foot plates anchored by bolts. As can be seen from the drawing, there are lots of possibilities for both types of section. Note also the special wall mounting, where the light box is mounted perpendicular to the wall without supporting poles.



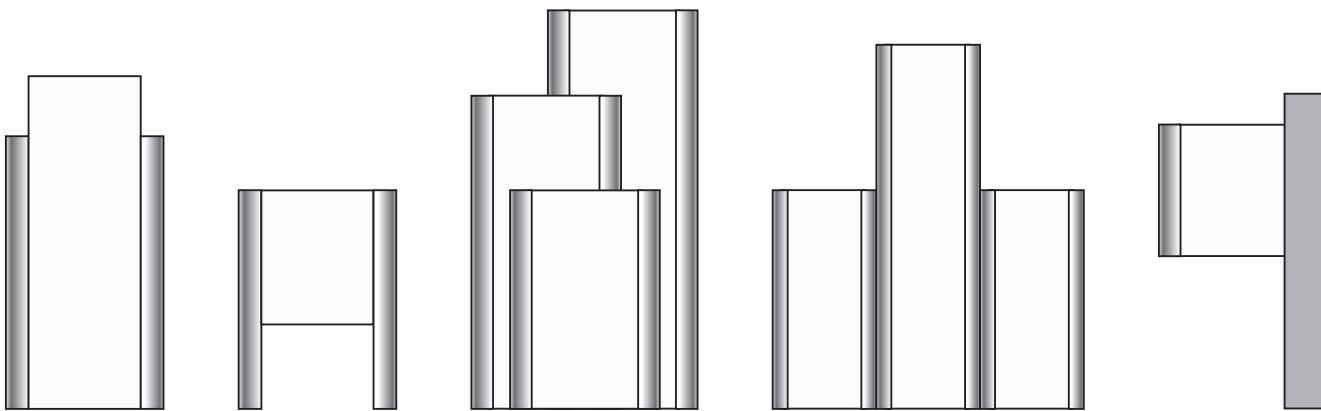
alu SIGN
TOTEM

Profiles in mill finish, anodised and RAL.
Plastic accessories in black and grey. White finish, as long as available.

■ CONSTRUCTION EXAMPLE GLOBE



Various versions are possible.
The possibilities are only limited
by your imagination.



*Profiles in mill finish, anodised and RAL.
Plastic accessories in black and grey. White finish, as long as available.*

Puts you on the map

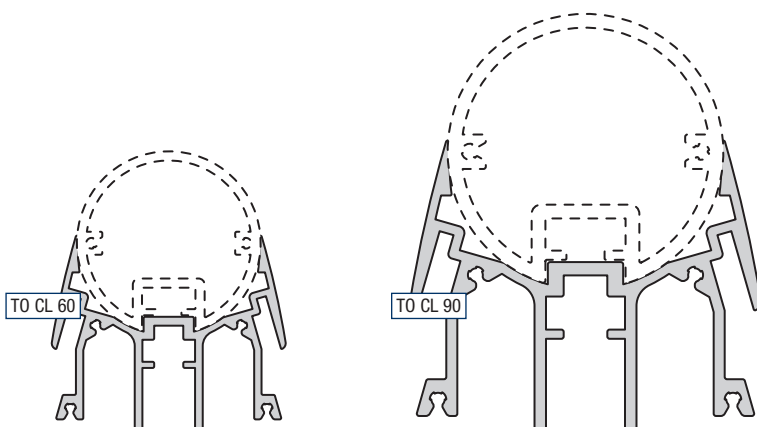
04:TOTEM



OVERVIEW TOTEM CLAM

CODE	TYPE
TO CL 60	Totem Clam post circular 60
TO CL 90	Totem Clam post circular 90

Totem construction is connected by OD FP 100.
 A sheet (max. thickness 4 mm) connects the two Totem clams.



CONSTRUCTION EXAMPLE TOTEM CLAM



Puts you on the map



Profiles in mill finish, anodised and RAL.
 Plastic accessories in black and grey. White finish, as long as available.

05: HIGHLIGHT



05:HIGHLIGHT



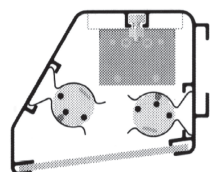
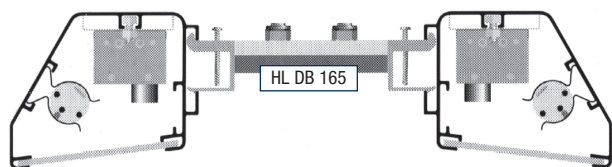
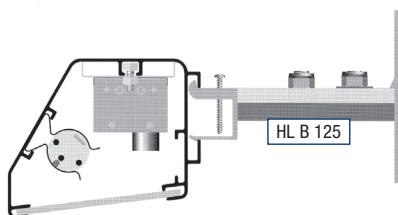
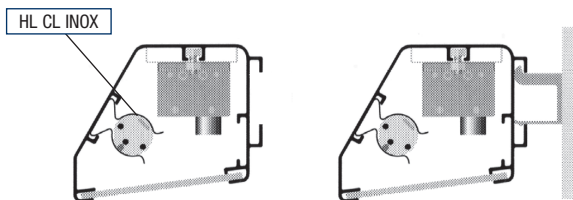
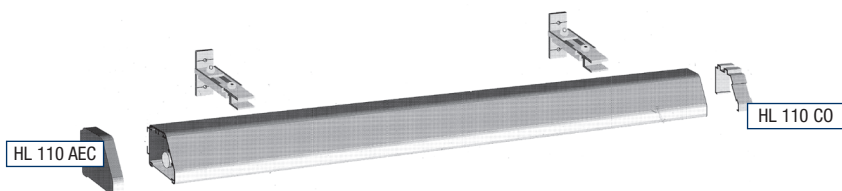
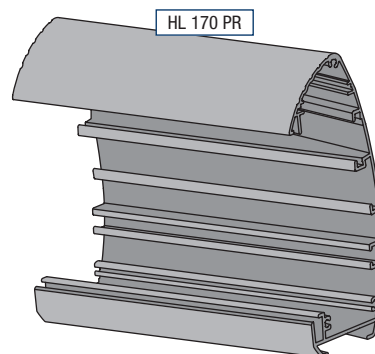
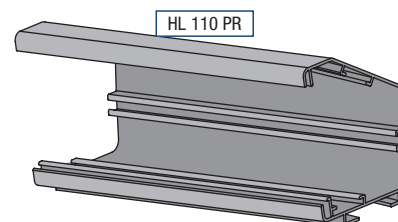
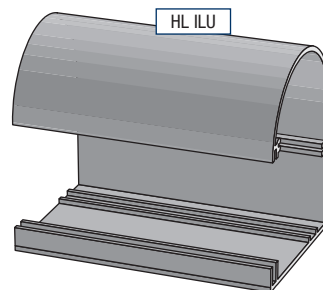
OVERVIEW ILLUMINATOR

CODE	TYPE
HL ILU PR	Highlight Illuminator profile
HL 110 PR	Highlight 110 profile
HL 170 PR	Highlight 170 profile

ALUMINIUM TOP HATS (box of 10 pcs.)

CODE	SIZE
HL ILU AEC	Highlight alu endcap illuminator
HL 110 AEC	Highlight alu endcap 110
HL 170 AEC	Highlight alu endcap 170

* Is available in mill finish, anodised and RAL 9016



BRACKETS AND ACCESSORIES

CODE	TYPE
HL CL INOX	Highlight tube clips
HL 110 CO	Highlight 110 connector
HL B 125	Highlight bracket 125 mm
HL B 200	Highlight bracket 200 mm
HL B 300	Highlight bracket 300 mm
HL B 400	Highlight bracket 400 mm
HL DB 165	Highlight double bracket 165 mm

Profiles for brackets are also available in 5000 mm length.

Underlines your message



Profiles in mill finish, anodised and RAL.
Plastic accessories in black and grey. White finish, as long as available.

TECHNICAL DATA

1. LENGTH OF THE PROFILES

All the profiles are supplied in lengths of 5.02 metres, except for the outdoor uprights, totem and highlight profiles - they come in lengths of 6.02 metres.

2. THE ALUMINIUM ALLOY

American standard: AA 6060
British standard: HE 9
German standard: ALM GSI 0.5
European standard: EN AW 6060

3. SHOP-PRIMING OF THE ALUMINIUM

Stoving work: the pre-treatment can only be done properly with aluminium of the right grade and the stoved aluminium will have no visible surface flaws (e.g. extrusion lines).

The pre-treatment is done by dip-coating and this in accordance with DIN 50939.

It comprises the following stages:

- degreasing
- removal of any impurities
- the application of a conversion coat

The spraying with paint and the stoving should be done as soon as possible after pre-treatment so as to avoid fouling the workpiece with dust or dirt.

The profiles are hung up and sprayed automatically, in an electrostatic spraying process. Any small areas that might have been missed are touched up, where necessary, by manual spraying. This is followed by having the polyester powder cured in a chamber furnace at 200 °C, for 12 minutes.

The polyester which is used for this is a thermosetting coating with a base of saturated polyester resins. The surface treatment is ideal for use in the building industry due to its good weather resistance, resistance to ageing and its resistance to UV light.

Thickness of primer: 60 microns.

The panels are guaranteed colourfast. The colours, in the production process, are kept permanent.

4. QUALITY OF THE ALUMINIUM PROFILES

Alusign aluminium profiles meet the quality standard, ISO 2000.

5. ANODIZING OF THE PROFILES

Alusign profiles achieve the QUALANOD - EWAA/ EURAS quality seal for architectural anodization.

The procedure for a 15 micron, colourless, anodization coat, with a satin finish:

DEGREASING:

The profiles are immersed in hot water for 20 minutes (tensides 35 g/l) at 65 °C. The bath is agitated with air.

PICKLING:

The profiles are satinized by mat dipping in caustic soda at 1 % conc. at 55 °C by the "Epal" method, for 18 minutes.

ANODIZATION:

The anodization is done in sulphuric acid (150 g/l) + oxalic acid (15 g/l) at a temperature of 22 °C.

The current density is 1.5 A/dm². The voltage is 20 V. The bath is agitated with air.

The anodization time is more than 55 minutes.

The coating after each charge is checked using a Fischer coating thickness meter.

CONDENSATION

Condensation takes place in stainless steel vats filled with demineralized water at a temperature of 98 °C.

The pH of the water lies between 5.5 and 6.5. Silicates (10 mg/l) and the electric conductance (1,500 µS, viz. microsiemens) of the water are measured daily.

The condensation time must not be shorter than 3 minutes per micron.

The quality of the condensation is measured every 2 hours by means of a drop test and every other day by means of a test for weight loss.

RINSING:

Between the active baths the profiles are rinsed in several baths, the last of which contains demineralized water.

6. PLASTIC END CAPS

The plastic end caps for the "indoor system" are made of P.P.

The plastic end caps for the "outdoor system" are made of P.A.6.0.

we show you the way



alu SIGN

Alusign
 Preenakker 8 - 1785 Merchtem - Belgium
 Tel.: +32 (0)52/40.84.27 - Fax: + 32 (0)52/40.84.28 - www.alusign.com
 BTW: BE 479-015-989

Your Alusign specialist: